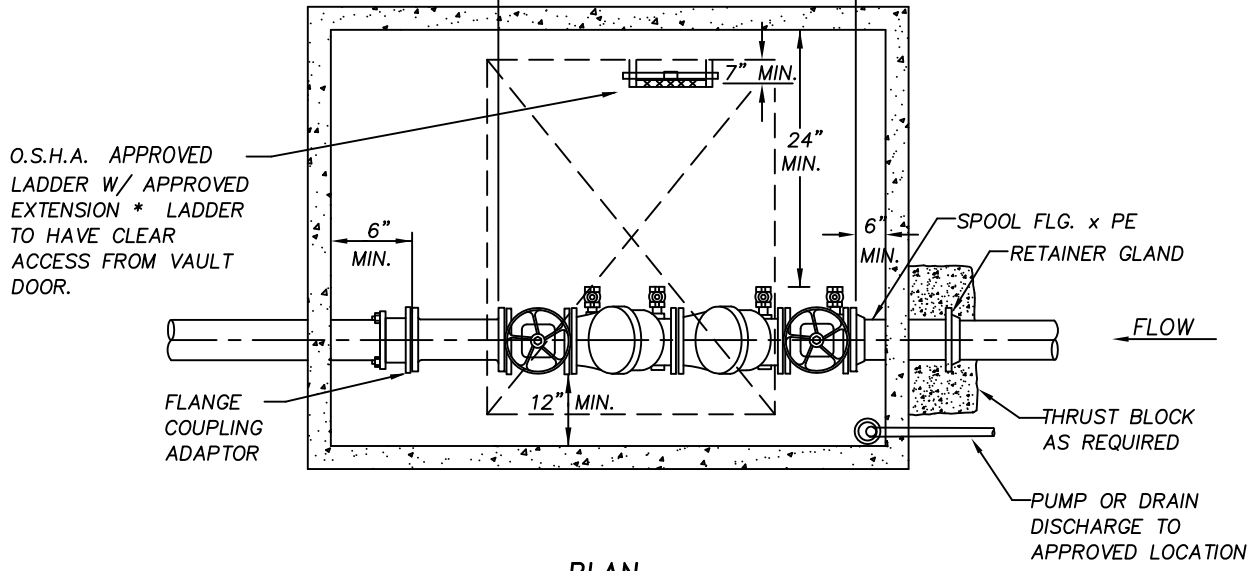
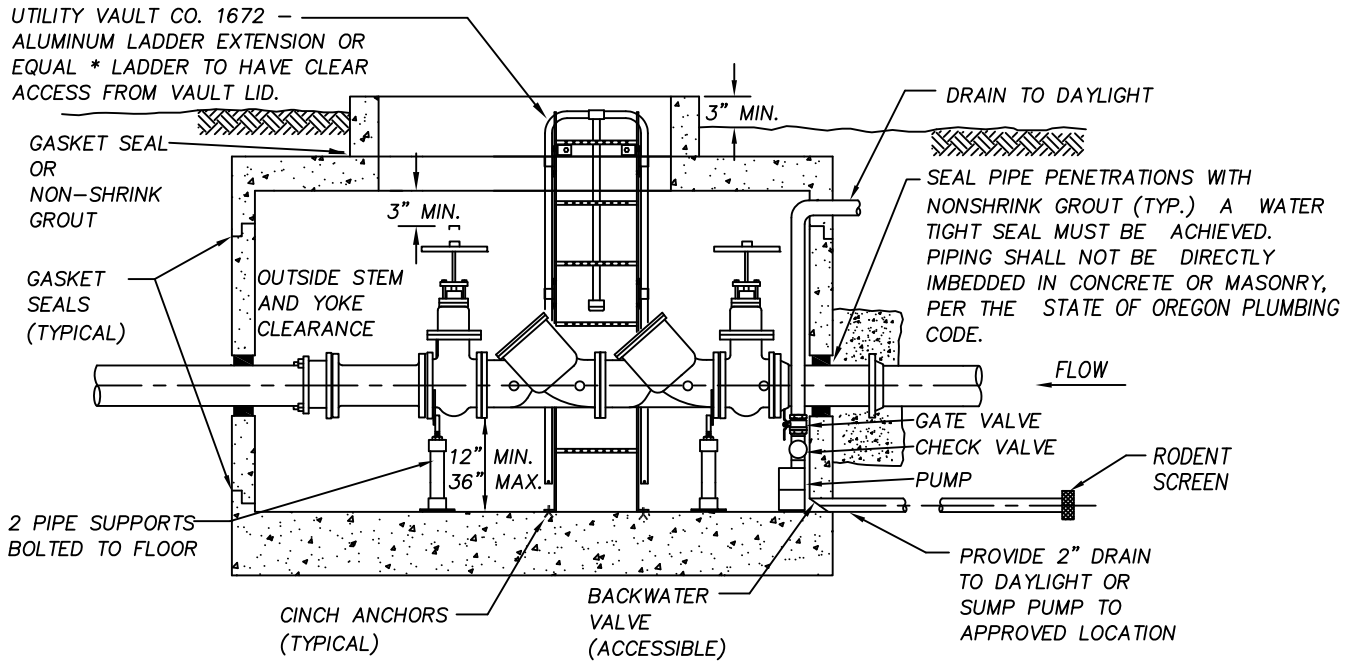


OREGON STATE HEALTH DIVISION
 OREGON STATE PLUMBING CODE APPROVED ASSEMBLY CITY OF FLORENCE STANDARDS



PLAN



ELEVATION

DOUBLE CHECK SIZE	UTILITY VAULT	COVER
3" & 4"	577-LA	332P
6"	676-WA	332P
8"	687-WA	332P

**CITY OF FLORENCE
STANDARD DRAWING**

**DOUBLE-CHECK
BACKFLOW
PREVENTER VAULT**

DATE: MARCH 2007	DRAWING NO. F-414
---------------------	----------------------