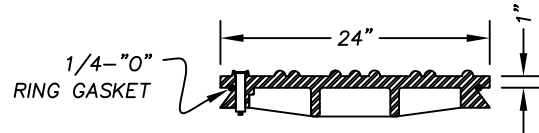


PLAN

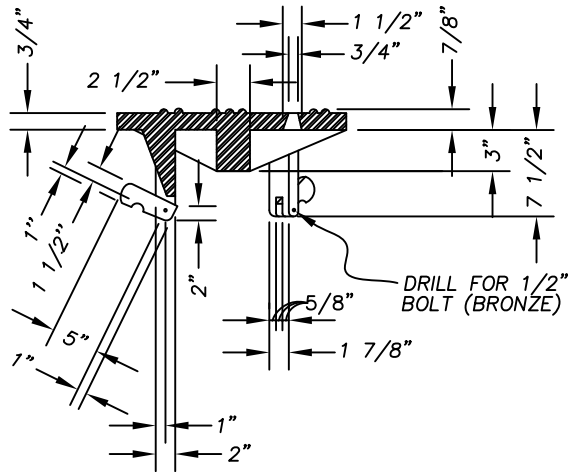
NOTE:

BOLTS TO BE FURNISHED WITH STANDARD HEX-HEAD NUTS & COTTER KEYS. COVER AND RING TO BE MACHINED TO A TRUE BEARING AT CONTACT POINTS.

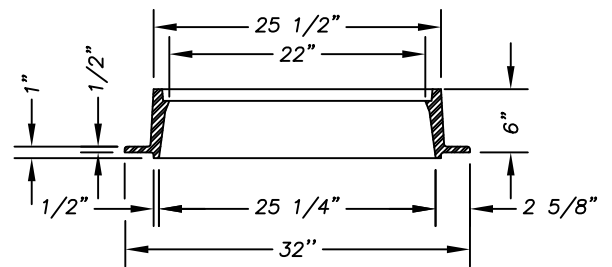


COVER SECTION

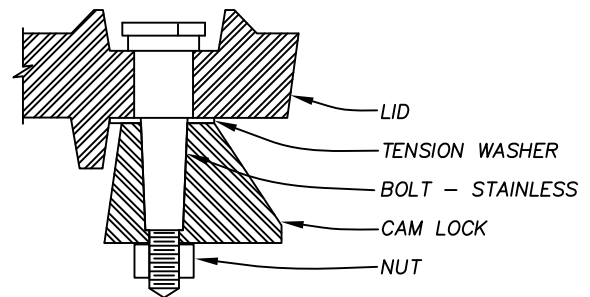
PLAN



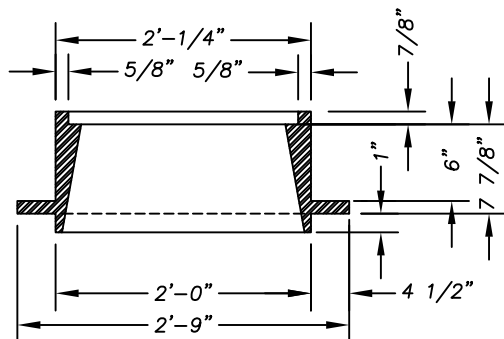
COVER SECTION



SECTION A-A



CAM-LOCK ASSEMBLY



FRAME SECTION

STANDARD CAM-LOCK ALUMINUM FRAME AND COVER

(SANITARY AND STORM)

STANDARD CAM-LOCK CAST IRON FRAME AND COVER

**CITY OF FLORENCE  
STANDARD DRAWING**

**CAM-LOCK MANHOLE  
COVER AND FRAME  
DETAILS (CAST IRON  
AND ALUMINUM)**

DATE:  
MARCH 2007

DRAWING NO.  
F-314