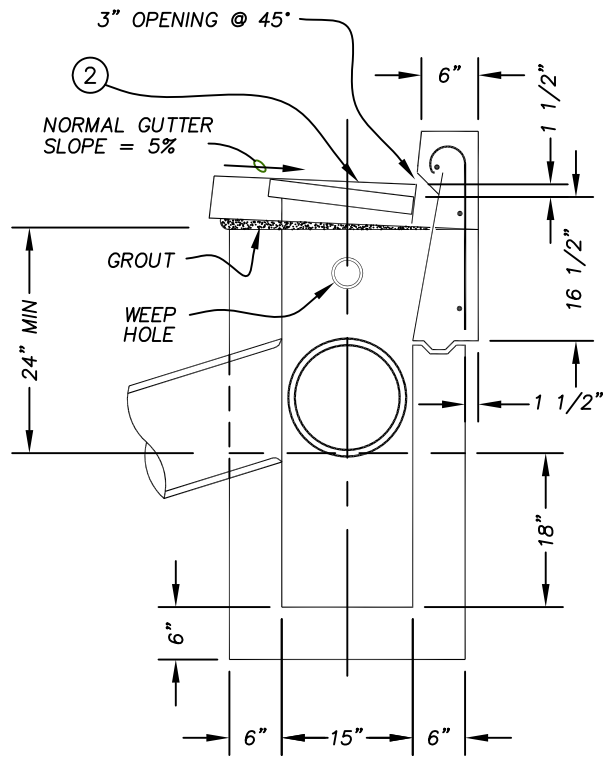


SECTION A-A



SECTION B-B

NOTES:

1. CONCRETE SHALL BE CLASS 3000.
2. USE FRAME AND GRATE DETAILS FROM STANDARD DRAWINGS FOR GUTTER INLET.

**CITY OF FLORENCE
STANDARD DRAWING**

**COMBINATION GUTTER
AND CURB INLET
CATCH BASIN DETAILS**

DATE:
MARCH 2007

DRAWING NO.
F-305e