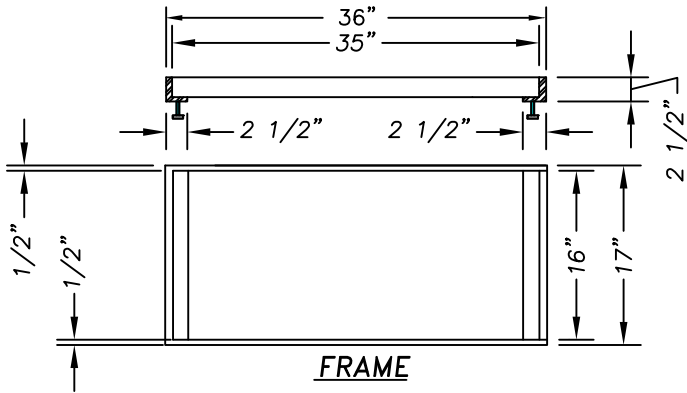
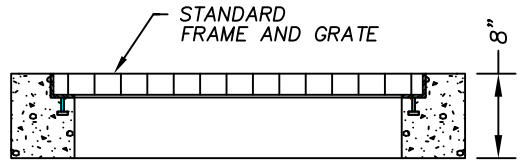


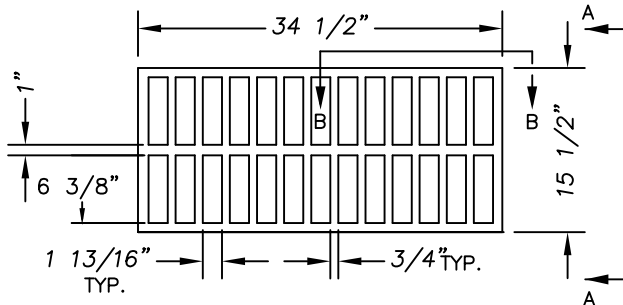
USE ASTM A-36 STEEL
AND AWS E-7024
WELDING ELECTRODES



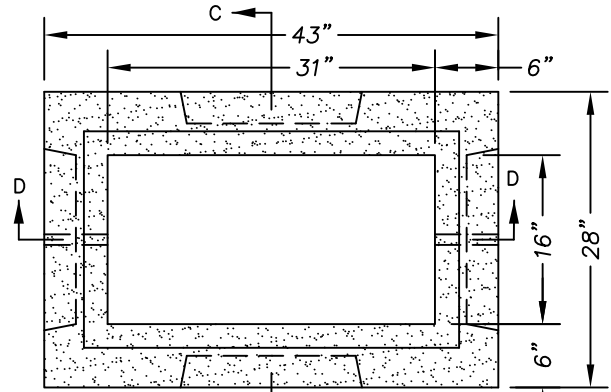
FRAME



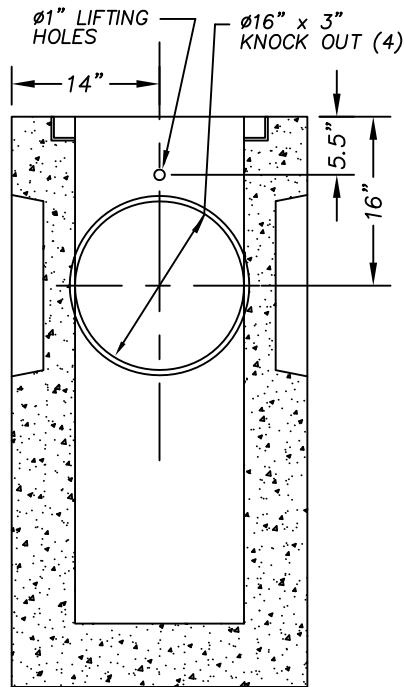
INLET SECTION



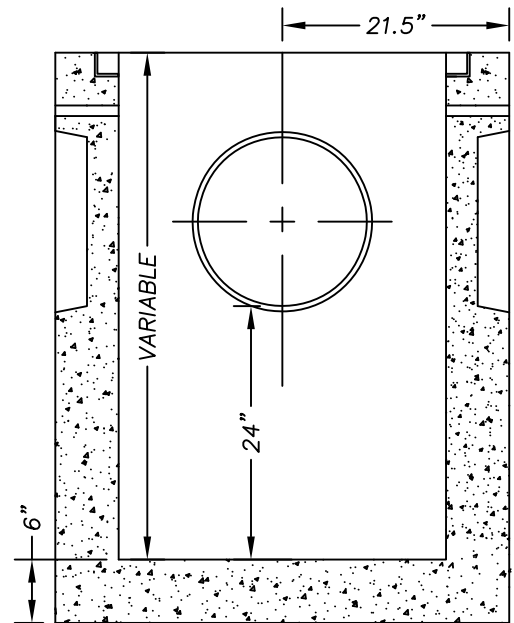
BIKE-PROOF GRATE



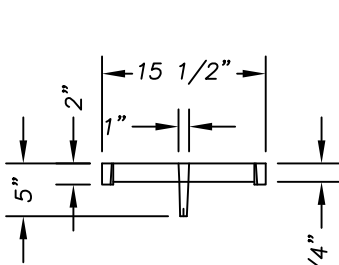
TOP VIEW



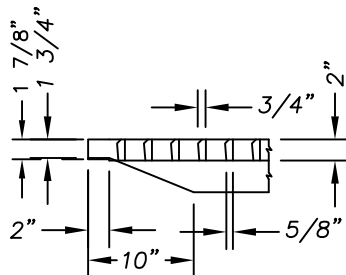
SECTION C-C



SECTION D-D



SECTION A-A



SECTION B-B

**CITY OF FLORENCE
STANDARD DRAWING**

**TYPE 4
CATCH BASIN DETAIL**

DATE:
MARCH 2007

DRAWING NO.
F-305d