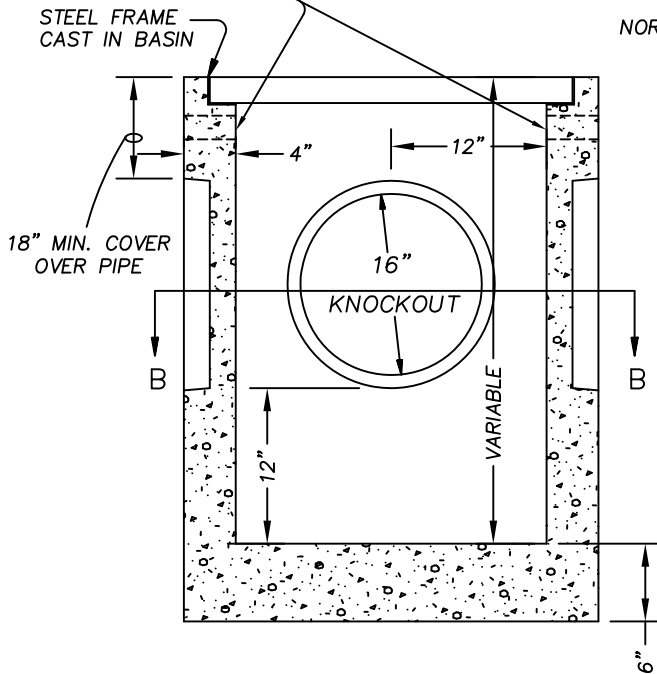
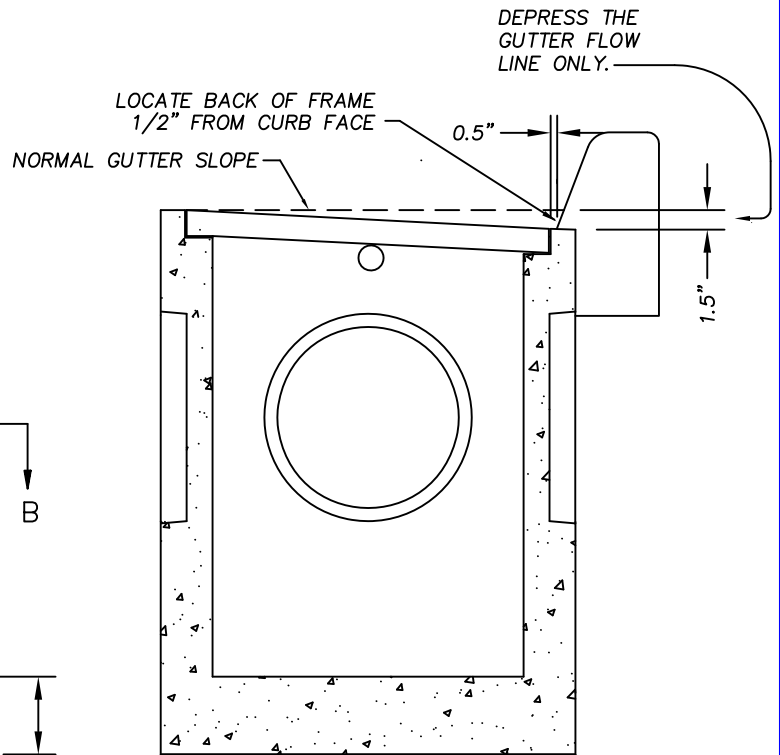


SECTION B-B

OPTIONAL: INSTALL 3" WEEP HOLES WITH FIELD INSTALLED MESH SCREEN FOR SUBGRADE DRAINAGE.



SECTION A-A



SECTION C-C

NOTES:

1. CATCH BASIN & GRATE SHALL MEET H2O LOADING
2. CONCRETE STRENGTH SHALL BE 3000 PSI
3. PRECAST WALLS SHALL BE A MINIMUM OF 4" THICK.
4. SEE DRW 305B FOR FRAME AND GRATE
5. DEPRESS GUTTER FLOWLINE AND TRANSITION GUTTER AS SHOWN IN DRW. 305C PERSPECTIVE VIEW.

**CITY OF FLORENCE
STANDARD DRAWING**

TYPE '3' CATCH BASIN

DATE:
MARCH 2007

DRAWING NO.
F-305a