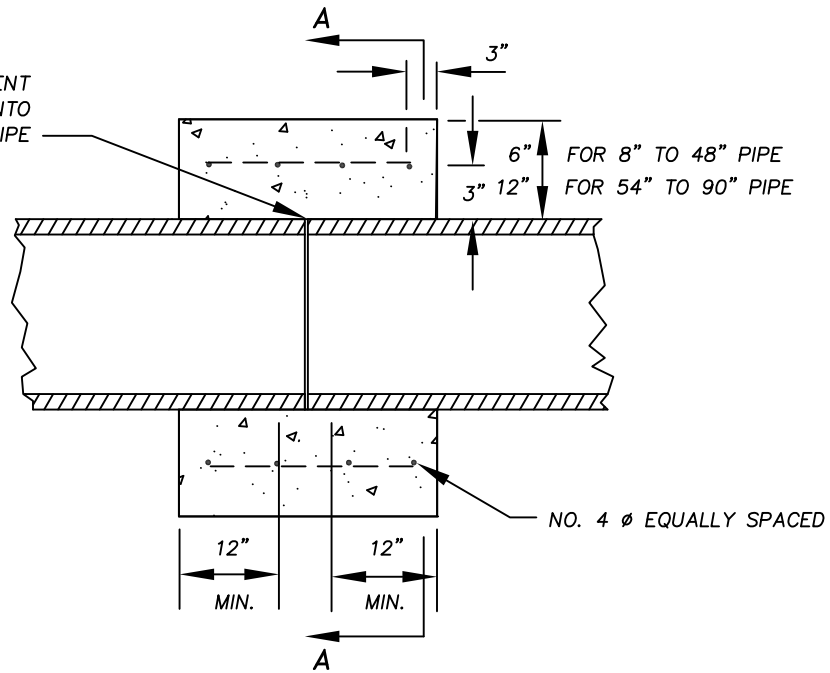
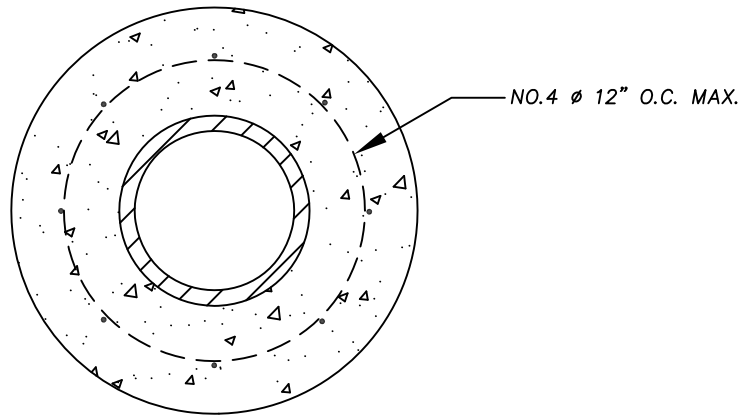


COVER JOINT TO PREVENT  
ENTRY OF CONCRETE INTO  
PIPE



PLAN VIEW



SECTION A-A

NOTE: USE CLASS 3000 CONCRETE

**CITY OF FLORENCE  
STANDARD DRAWING**

**REINFORCED  
CONCRETE COLLAR**

DATE:

MARCH 2007

DRAWING NO.

F-302a