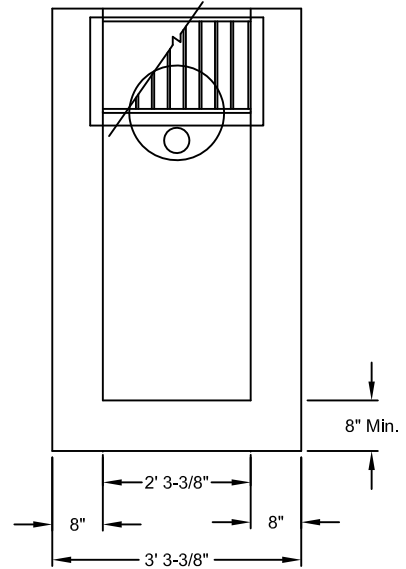
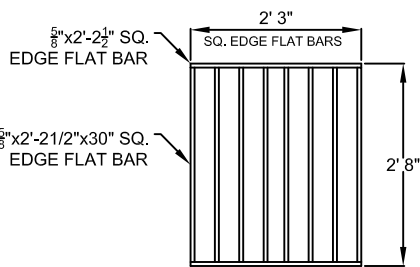


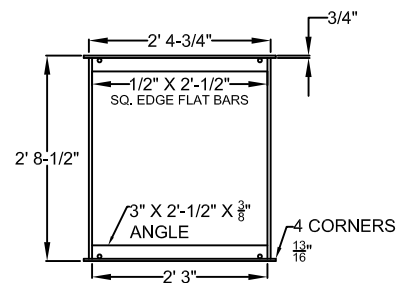
SECTION A - A



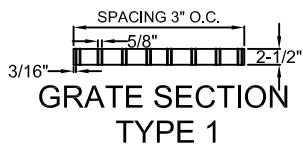
SECTION B - B



PLAN

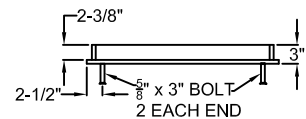


FRAME PLAN

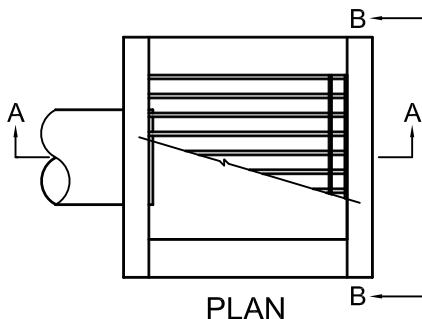


GRATE SECTION TYPE 1

NOTE:
 $\frac{3}{8}$ " CROSS BARS SHALL BE FLUSH WITH THE GRATE SURFACE AND MAY BE FILLET WELDED.
 RESISTANCE WELDED OR ELECTROFORGED TO BEARING BARS



FRAME SECTION



PLAN

- NOTES:
1. CONCRETE STRENGTH SHALL BE COMMERCIAL GRADE CONCRETE.
 2. G-2 GRATES MAY BE USED IF APPROVED BY THE ENGINEER.
 3. CATCH BASIN, FRAME, AND GRATES SHALL MEET H2O LOADING.
 4. INSIDE FRAME DIMENSIONS: 2' 3-3/8" X 2' 8-1/2".

**CITY OF FLORENCE
 STANDARD DRAWING**

**CATCH BASIN
 W/ORIFICE
 PROFILE**

DATE:
 AUG-2012

DRAWING NO.
 F-109