

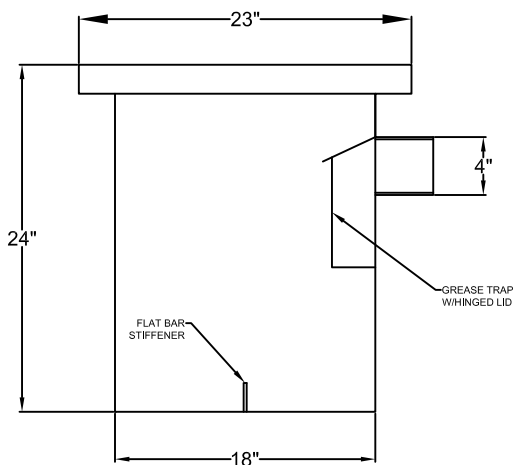
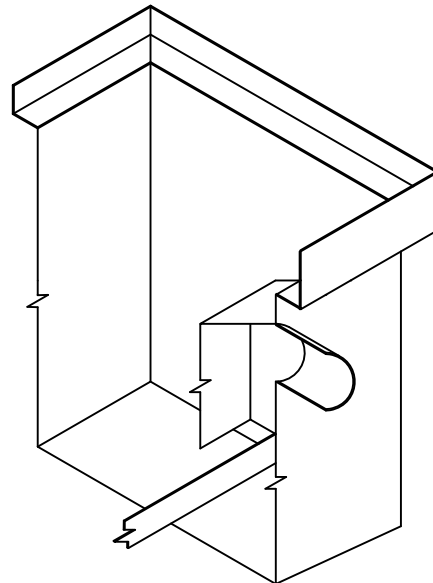
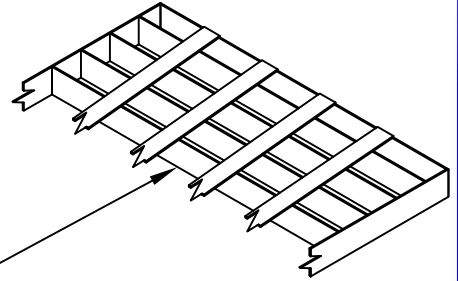
STATE APPROVED - ASPHALT DIPPED

1. BOX FABRICATED FROM 10 GA. MATERIAL

2. BIKE PROOF, HEAVY DUTY TRAFFIC
GRATE SUPPORTS AASHO H20-S16-44
LOADING.

3. GIBSON STEEL BASINS
247 WASHINGTON ST.
EUGENE, OREGON 97401
(541) 687-8672
(541) 687-0033 FAX
MODEL # C810-1824HB-4

18" SQUARE W/4" Ø OUTLET



**CITY OF FLORENCE
STANDARD DRAWING**

**COMPACT
BASIN**

DATE:
DEC-2011

DRAWING NO.
F-106